

»multifix« series

Diaphragm pressure regulator, self-relieving, with pneumatic remote control. The pressure is set with a pilot pressure regulator (1:1 ratio). The output pressure corresponds to the set pressure of the pilot pressure regulator. Either a standard or a precision pressure regulator can be used to regulate the pilot pressure.

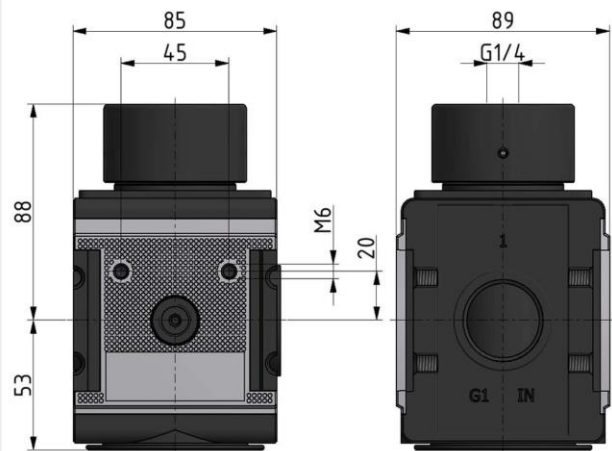
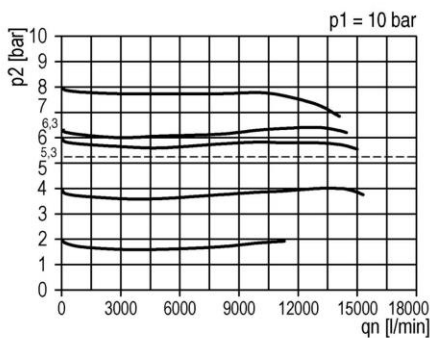
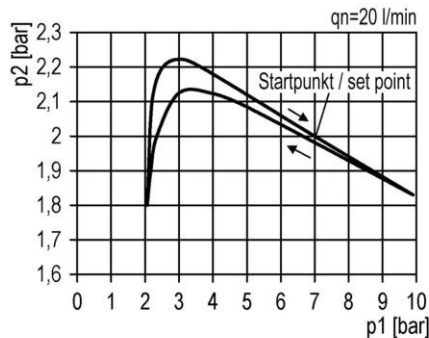
| | |
|---------------------------|---|
| Max. input pressure: | 16 bar |
| Max. medium temperature: | 60 °C |
| Max. ambient temperature: | 60 °C |
| Sealant: | NBR |
| Flow rate measurement: | At $P_1 = 10$ bar, $P_2 = 6.3$ bar and pressure drop $\Delta p = 1$ bar |

Pressure regulator with pneumatic remote control, without pressure gauge

| Art. No. | Type No. | Thread | Pilot air connection | Housing | Flow rate l/min | Size | DN |
|----------|----------|--------|----------------------|--------------------|-----------------|------|----|
| 133106 | RI 45 | G 1 | G 1/4 | Die-cast aluminium | 12000 | 4 | 25 |

Accessories / spare parts

| Art. No. | Type No. | Description |
|----------|-----------|--|
| 135858 | ZW 45 | Mounting bracket with 2 screws |
| 135857 | KP 45 | Coupler pack for modular assembly of several devices |
| 135855 | 22.1845.4 | Set of wearing parts |


flow characteristic

pressure characteristic

symbol
